

DF10.142LM

Lavoce

1" COMPRESSION DRIVER

FERRITE MAGNET



- 1.4 INCH CCAW VOICE COIL
- 106 dB/SPL SENSITIVITY
- 60 W PROGRAM POWER HANDLING
- FEM OPTIMIZED MOTOR, PHASEPLUG AND DIAPHRAGM
- 1500 - 20000 Hz FREQUENCY RANGE
- POLYESTER DIAPHRAGM

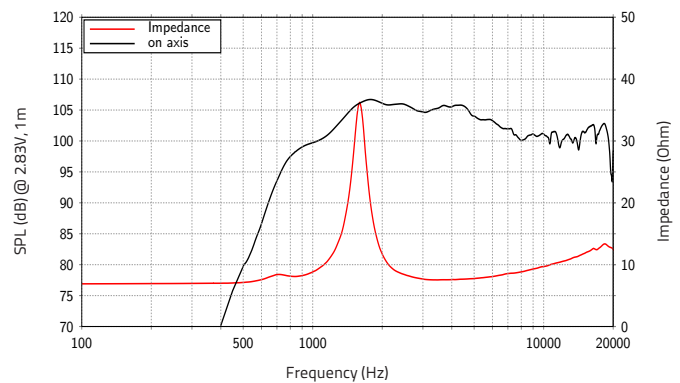
GENERAL SPECIFICATIONS

| | | |
|----------------------------|----------------------|--------------|
| Throat diameter | mm (in.) | 25,4 (1) |
| Nominal impedance | Ω | 8 |
| Minimum impedance | Ω | 7,4 |
| Program power (1) | W | 60 |
| AES Power rating (2) | W | 30 |
| Sensitivity (3) | dB | 106 |
| Frequency range | Hz | 1500 ÷ 20000 |
| Voice coil diameter | mm (in.) | 35 (1.4) |
| Magnet material | Ferrite | |
| Magnet OD | mm (in.) | 90 (3.5) |
| Coil material | CCAW | |
| Former material | Kapton | |
| Diaphragm material | Polyester | |
| Surround material | Polyester | |
| Voice coil Inductance | mH | 0,09 |
| Flux density | T | 1,5 |
| Recommended crossover (4) | Hz | 2200 |
| Driver displacement volume | l (ft ³) | 0,2 (0.007) |

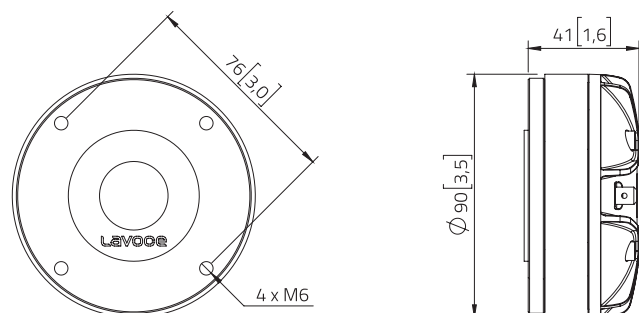
SHIPPING INFORMATION

| | | |
|---------------------|----------|---------------------|
| Net weight | kg (lb.) | 0,9 (2.0) |
| Multipack size (12) | mm | 510 x 420 x 90 |
| W x D x H | (in.) | (20.1 x 16.5 x 3.5) |
| Multipack weight | kg (lb.) | 13,5 (29.7) |

FREQUENCY RESPONSE



DIMENSIONS mm (in.)



(1) Program power is defined as 3 dB greater than AES Power. (2) Horn loaded test for 2h with continuous, band-limited (2200-20000 Hz, 12dB/oct.) pink noise as per AES 2-1984 Rev. 2003. (3) Measured on axis at 2.83V, 1m, driver loaded with HD1003 horn, SPL averaged in the frequency range 1500 ÷ 20000 Hz. (4) High pass filter with slope 12dB/oct. or higher.

All specifications subject to change without notice_H.a

WWW.LAVOCESPEAKERS.COM



Lavoce Italiana

sales@lavocespeakers.com sales.cn@lavocespeakers.com